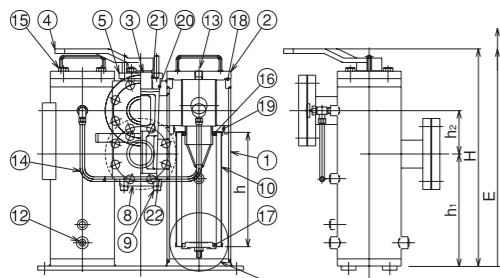
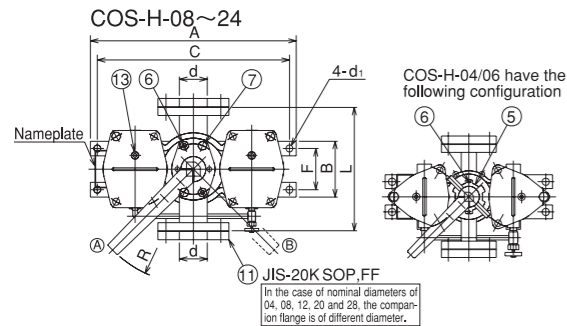
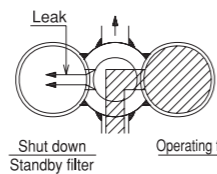


- Model COS-H is a steel duplex filter having a maximum operating pressure of 2 MPa.
- Easy handle operation enables cleaning and replacing elements without stopping system operation.
- Paper, Notch Wire and Wire (SUS) are available as filter media.
Flow direction is the opposite between Code A and B.
Paper, Wire (SUS): Code A
Notch Wire: Code B
- Standard flange is JIS20K-FF.
- Internal leak from operating filter to standby filter occurs due to cock structure.
(The leakage is controlled within the criteria values in table below.)

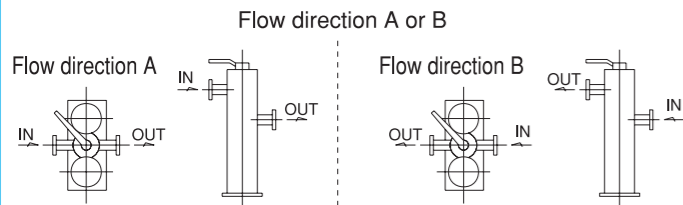
Criteria of cock leakage: Specified amount of fluid leakage from operation filter to standby filter through cock clearance.

	Leakage cc/min	Condition
COS-H-04 06	MAX.30	2 MPa Viscosity 35 cSt
COS-H-08 10	MAX.50	
COS-H-12 16	MAX.100	
COS-H-20 24	MAX.125	
COS-H-28 32	MAX.200	



Handle Position and Switching
(when seeing the handle)

- (A) Left side used, right side closed
- (B) Right side used, left side closed



Model	Symbol	Inner Dia.	A	B	C	F	φd ₁	d	L	R	H	h ₁	h ₂	Element Allowance E	Element h	Element d ₂	Mass (kg)	O-ring and Packing										
																		16	17	18	19	20	21	22	11 included			
COS-H-04	15A	305	80	280	55	13	15A	190	150	317	159	55	580	150	62.2	26	18X φ 38.5/φ 32.5	12X φ 14/φ 6.5	G-70	G-60	P-38	P-25	-	-	For JIS 20K-20A			
COS-H-06	20A	365	102	335	70	15	20A	220	250	396	209	70	720	200	82.2	33	18X φ 58.5/φ 43	12X φ 14/φ 8.5	G-100	G-80	P-50	P-30	G-55	-	For JIS 20K-32A			
COS-H-08	25A	450	122	420	90	15	25A	270	250	484	254	95	890	250	102.2	63	18X φ 73.5/φ 61	12X φ 17/φ 8.5	G-125	G-105	G-80	P-50	G-80	-	For JIS 20K-50A			
COS-H-10	32A	680	200	630	120	19	32A	350	300	734	426	135	1390	400 (423)	153.0 (147.0)	144	12X φ 140/φ 116	12X φ 140/φ 116	G-180	G-155	G-120	P-55	G-120	-	For JIS 20K-80A			
COS-H-12	40A	760	320	700	260	19	40A	450	300	902	526	158	1550	550	202	250	12X φ 202/φ 162	12X φ 202/φ 162	G-250	G-210	G-135	G-55	G-140	-	For JIS 20K-100A			

Model Code

COS-H — Inner Diameter — Flow Direction — Filtration Rating — Option

Code	Inner Dia.	Code	Flow Direction	Code	Filtration	Media	Code	Flange Rating	Code	Indicator		
04	15A	A	Flow direction when using paper or wire. (See the figure on the left side)	※8C	8 microns	C fiber	Blank	JIS20K SOP,FF(SS400)	Blank	None		
06	20A			※25C	25 microns		A	ANSI 150LB SO,RF(A105)*1	I	Visual	IA-3	
08	25A			60K	60 mesh		B	ANSI 300LB SO,RF(SFVC2A)*1	E	Electric	EA-3	
10	32A			B	Flow direction when using notch wire. (See the figure on the left side)	100K	100 mesh	Notch wire	C	JPI 150LB SO, RF(A105)	D	Electric (for micro capacity)
12	40A					150K	150 mesh		F	JPI 300LB SO, RF(SFVC2A)	T	Others, special body*2
16	50A					200K	200 mesh		H	JIS20K SOH,RF(S25C)		
20	65A	50UK	50 microns			Wire (SUS)	Others, special body*2					
24	80A	60W	60 mesh									
28	90A	100W	100 mesh									
32	100A	150W	150 mesh	Paper	Others, special body*2	Code	Switchover Handle	Code	Magnet			
		200W	200 mesh			Blank	Normal handle	Blank	None			
		50UW	50 microns			R	Reverse handle	M	With			
		40UW	40 microns									
		20UW	20 microns									
		10UW	10 microns									
		5UW	5 microns									
		40U	40 microns									
		20U	20 microns									
		10U	10 microns									

※1 With smooth spiral serration.
※2 Flange rating other than above such as JIS10K flange, drain/air vent shape, size, etc. are special.
Note: For models other than JIS20K SOP, FF, only the inner diameters of 06, 10, 16, 24 and 32 are available. (No companion flange)

※3 8C : β₈ ≥ 200 25C : β₂₅ ≥ 200

Coding Example
COS-H-16-B-150K-CEM

Spares

Element

P — COS — H — Inner Diameter — Flow Direction — Filtration Rating

Coding example: P-COS-H-06-A-10U

Sealing parts set

● For element replacement (Part No. with © in "O-ring and packing".) Note: The contents of this set are for one side only.

SP — COS — H — Inner Diameter — Flow Direction

Coding example: SP-COS-H-16-B

● For overhaul

SA — COS — H — Inner Diameter — Flow Direction — Flange Rating — Indicator

Coding example: SA-COS-H-16-B-CE ※3 Packings other than JIS20K SOP, FF for Flange Rating are not included.

Flow Rate Chart

● ISO VG32 ● Viscosity: 32 cSt (40°C)

